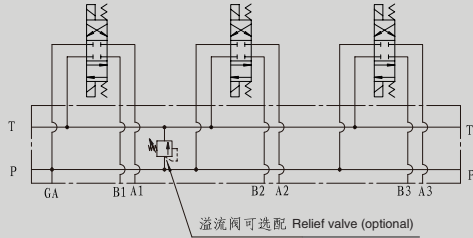


HSD(A)ZVB10P 阀板系列

HSD(A)ZVB10P SERIES MANIFOLD

符号 SYMBOL



▶ HSZVB16P 阀板 MANIFOLD



A=铝LD7最高压力20.7MPa
D=钢45#最高压力31.5MPa
A=Aluminum max pressure 20.7MPa
D=Steel max pressure 31.5MPa

ZVB10=10通径阀板
ZVB10=NG10 manifold

P=并联油路块
P=Parallel connection

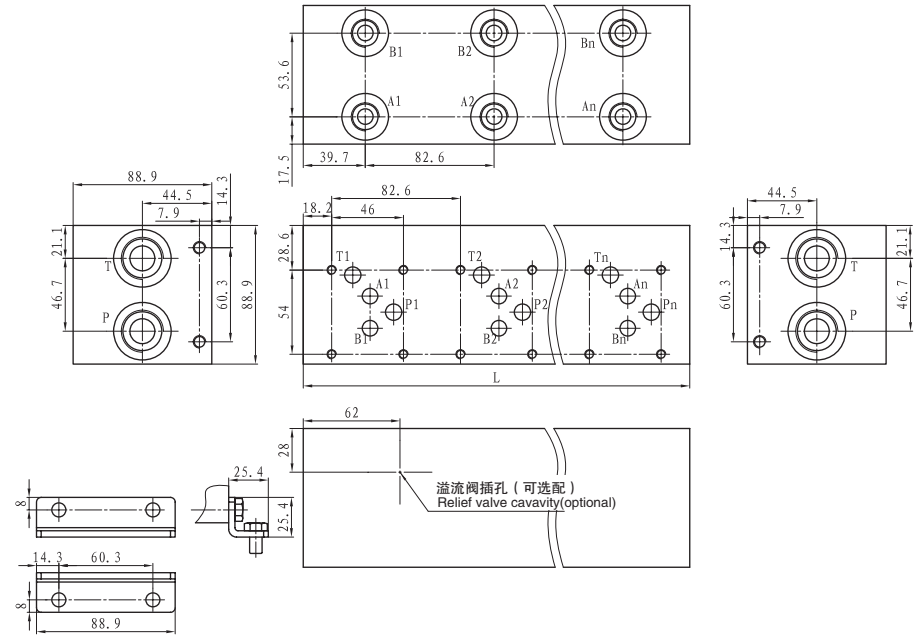
并联数量 Stations number
1-2-3-4-5-6-7-8-9-10

附加说明
For further details

省略=无溢流阀插孔
C=海德福斯插孔10-2
No code=Without cavity of relief valve
C=With cavity of relief valve 10-2

油路块螺纹 Thread type	P,T	A,B	GA
P	NPT(Z)	NPT3/4	NPT1/2
S	SAE	SAE12	SAE8
B	BSP(G)	BSP3/4	BSP1/2
M	M	M27X2	M18X1.5

▶ HSZVB10P 阀板 外形尺寸 HSZVB10P Installation Dimensions



油口种类 Thread type	阀安装螺纹 Valve Installation thread	油路块安装螺纹 Manifold Installation thread
P.S	1/4-20UNCx19DP	5/16-18UNCx12DP
B.M	M6 ISO H6x19DP	M8 ISO H6x12DP

并联数量 Stations number	1	2	3	4	5	6	7	8	9	10
L(mm)	82.6	165.1	247.7	330.2	412.8	495.3	577.9	660.4	743	825.5

注：1联带溢流阀的油路块长度为101.6mm。1联不带压力表接口。
Attention: The length of 1 station manifold with relief valve is 101.6mm, 1 station manifold without oil port for pressure gauge.